



YANMAR CO., LTD.
YANMAR AMERICA CORP.

Supplement to Yanmar Kit Installation Instructions

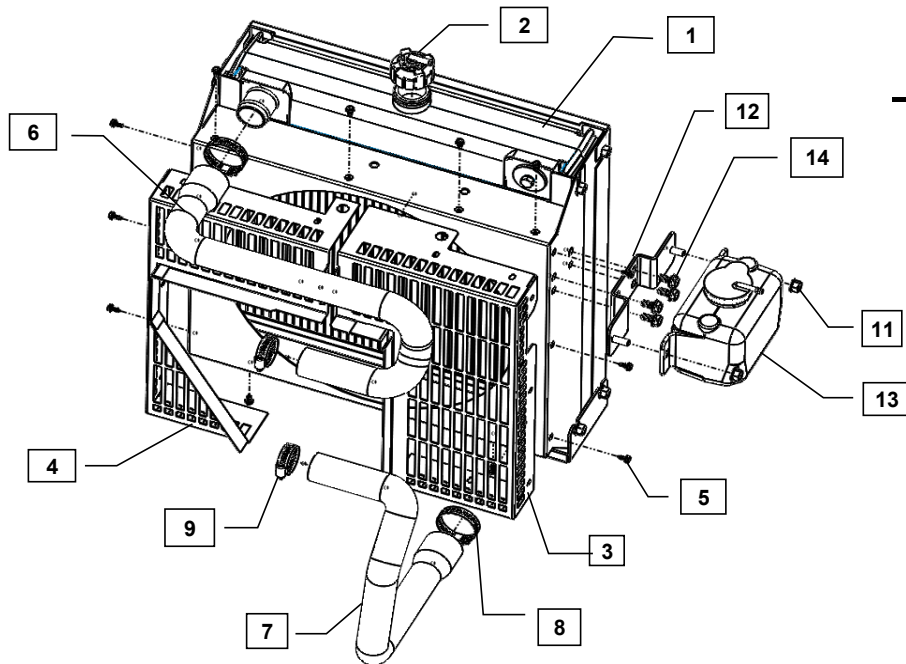
SAFETY

This product is designed and intended only for use with a YANMAR engine. All safety and warning information contained in the Yanmar Operation Manual and Service Manual is adopted and incorporated to apply to the components, accessories, and parts that are utilized with Yanmar engines. Follow all instructions and precautions before installing this product, before operating, during operation, and during periodic maintenance procedures for your safety, the safety of others, and to protect the performance of your engine.



YANMAR CO., LTD.
YANMAR AMERICA CORP.

Item	Lev.	O	Part No.	Description	Quantity	Remarks
1	-		119E34-44570	Radiator Assembly	1	
2	--		119E34-44600	Radiator Cap	1	
3	--		119E34-44160	Fan Guard	1	
4	--		119E34-44170	Fan Guard	1	
5	--		119E34-44900	Bolt, M5 X 0.5 - 16mm (hex head tapping screw)	13	
6	--		119E34-49200	Hose, Top Tank	1	
7	--		119E34-49210	Hose, Bottom Tank	1	
8	--		119E34-49410	Clamp, Hose 27-51 mm OD	2	
9	--		119E34-49420	Clamp, Hose 21-38 mm OD	2	
10	--		129689-44000	1-Liter Overflow Bottle Assembly	1	
11	--		129989-44040	Nut, Lock M8 X 1.25 (Flange hex head)	2	
12	--		129689-44110	Bracket, Overflow, 1L	1	
13	--		129689-44120	Bottle, Overflow, 1L	1	
14	--		26106-080122	Bolt, M8 X 1.25 - 12 (Washer hex head)	4	



MODELS
3TNV80FT

Remarks:



Installation Instructions

Hand tighten all bolts and nuts until assembly is completed, then torque according to specifications in Table 1. The numbers in () represent the item numbers.

WARNING: DO NOT RUN ENGINE WITHOUT COOLANT IN RADIATOR.

1. Remove Fan Guards (3 and 4) from Radiator Assembly (1) and place it around the cooling fan on an engine. Fasten the two piece Fan Guards (3 and 4) using M5 X 0.5 - 16mm bolt (6).
2. Install Radiator (1) to the Radiator Mounting Kit using 1/2 X 13 - 2.75 bolts and 0.5 X 2.0 X 0.125 washers provided with the Radiator Mounting Kit.
3. Mount Fan Guards (3 and 4) to the Radiator (1) using M5 X 0.5 - 16mm bolt (5).
4. Using Upper Support and M8 X 1.25 - 16mm bolts from Radiator Mounting Kit, fasten the Radiator (1) to the Upper Mount from the Radiator Mounting Kit.
5. Attach the Top Radiator Hose (6) to the Radiator (1) inlet and to the top of the water pump with Hose Clamps (8 and 9). Attach the Bottom Radiator Hose (7) to the Radiator (1) outlet and to the inlet of the water pump with Hose Clamps (8 and 9).
6. Adjust the Radiator Assembly and support assembly to align the center of the cooling fan with the center of the Radiator (1). Tighten the Radiator Mounting Kit bolts.
7. Mount Overflow Bottle Assembly (10) to side of the Radiator (1) using M8 X 1.25 - 12mm bolts (14). Attach the Overflow Hose to the bottom of the overflow bottle and the top of Radiator using hose clamps included with the Overflow Bottle Assembly.
8. Tighten all remaining bolts and nuts according to specification in Table 1.
9. Using decals included with overflow bottle, place the LOW sticker on the overflow bottle, second indentation to the bottom. Place the HIGH sticker on the top indentation.
10. Add antifreeze, using a 50:50 mixture, into the Radiator. After running the engine for a few minutes, add more antifreeze mixture if necessary.

NOTE: Comply with torque standards in the table to avoid unexpected damage during installation or in the future.

Table 1: Standard Nut and Bolt Tightening Torque			
Diameter x Pitch	Kgf-m	Foot-lbf	N-m
M5 X 0.8	0.7 ~ 0.9	4.8 ~ 6.3	6.5 ~ 8.5
M8 X 1.25	1.5 ~ 2.9	10.6 ~ 20.9	14.4 ~ 28.3
1/2 X 13	7.9 ~ 10.1	57 ~ 73	77.3 ~ 98.9
Hose Clamps	0.45 ~ 0.52	3.3 ~ 3.8	4.5 ~ 5.1