



YANMAR CO., LTD.  
YANMAR AMERICA CORP.

## Supplement to Yanmar Kit Installation Instructions

# SAFETY

---

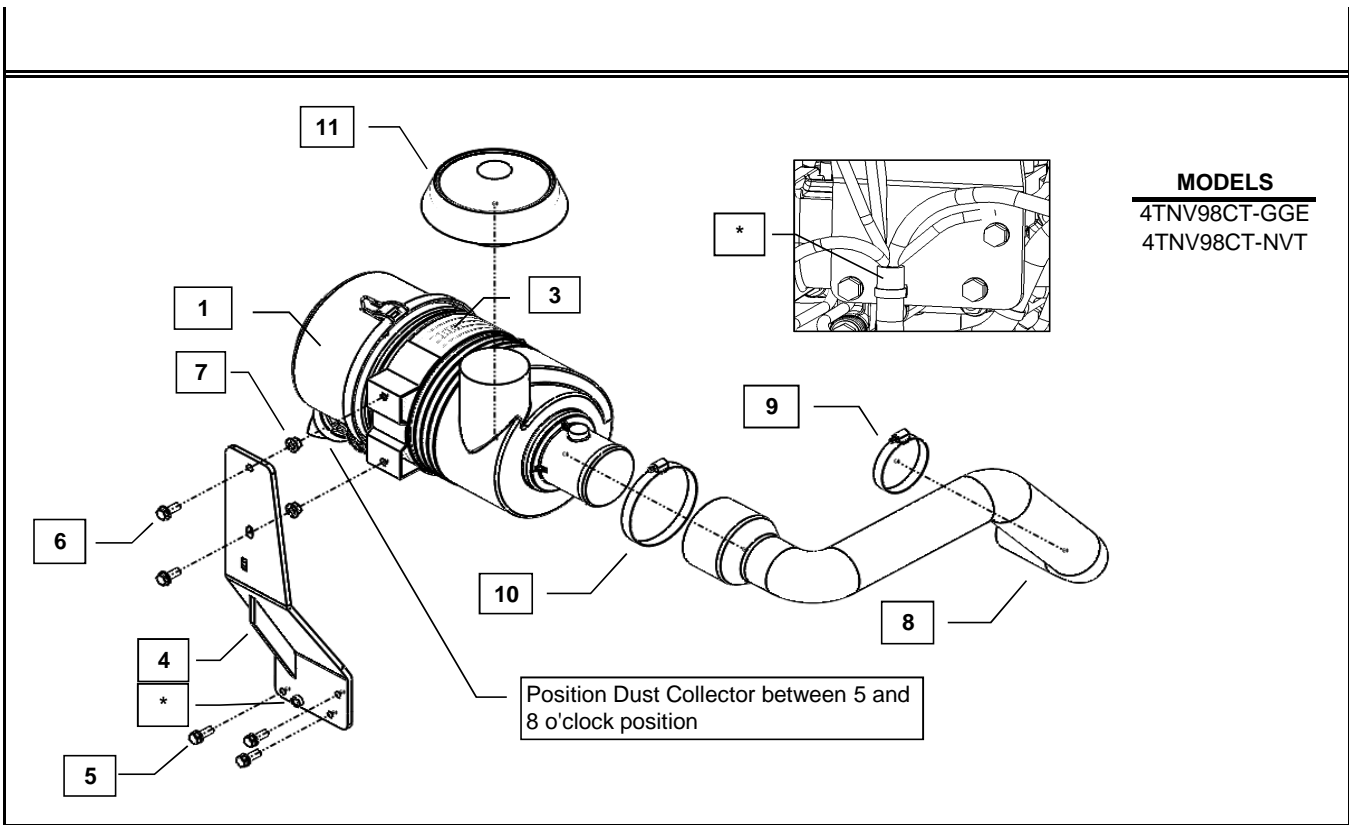
This product is designed and intended only for use with a YANMAR engine. All safety and warning information contained in the Yanmar Operation Manual and Service Manual is adopted and incorporated to apply to the components, accessories, and parts that are utilized with Yanmar engines. Follow all instructions and precautions before installing this product, before operating, during operation, and during periodic maintenance procedures for your safety, the safety of others, and to protect the performance of your engine.

Kit Name: KAC20



YANMAR CO., LTD.  
YANMAR AMERICA CORP.

Item	Lev.	O	Part No.	Description	Quantity	Remarks
1	--		129989-12750	Air Cleaner Assy	1	
2	---		123987-12510	Element, a/c	1	
3	--		123987-12570	Band, Air Cleaner	1	
4	--		129989-12580	Bracket, Air Cleaner	1	
5	--		26013-080222	Bolt, M8 X 1.25 - 22, (Captive Spring Lock Washer)	3	
6	--		26106-080202	Bolt, M8 X 1.25 - 20, (Flanged hex head)	2	
7	--		26366-080002	Nut, M8 X 1.25, (Flange)	2	
8	--		129989-12240	Hose, Air Cleaner	1	
9	--		23000-070000	Clamp 70, Hose	1	
10	--		23000-102000	Clamp 120, Hose	1	
11	--		123987-12600	Rain Cap Assy	1	



**MODELS**  
4TNV98CT-GGE  
4TNV98CT-NVT

Note: Part codes are not assigned to non-servicable component parts.

Remarks: Kit includes Donaldson part number label.  
\* Re-attach wiring harness at this location



### Installation Instructions

Hand tighten all bolts and nuts until assembly is completed, then torque according to specifications in Table 1. the numbers in () represent the item numbers.

1. Fasten the Air Cleaner Band (3) onto the Air Cleaner Bracket (4) using M8x1.25-20 bolts (6) and M8 Flange Nuts (7).
2. Assemble Air Cleaner Band (3) and Bracket (4) assembly to the intake manifold with M8x1.25-22 bolts (5). The wiring harness will need to be removed from the mounting location and reassembled later. Take care to remove the "x-mas type" retainer clip in it's entirety.
3. Open the Air Cleaner Band (3) by removing the bolt and spring fastener from the assembly. Remove the Air Cleaner Cover and Element (2) from the Air Cleaner (1). This will allow the Air Cleaner (1) to slide into the Air Cleaner Band (3).
4. Insert the Air Cleaner (1) in the Band (3) and position in the recess provided on the Air Cleaner. Fasten it with the bolt, spring, and nut that came with the Band. Reinstall the Air Cleaner Cover and adjust the orientation so the dust collector is positioned downward between the 5 and 8 o'clock position.
5. Fasten the small diameter of the Air Cleaner Hose (8) to the intake manifold using Hose Clamp (9). Fasten the large diameter end of the Hose to the Air Cleaner (1) using Hose Clamp (10).
6. Fasten the Rain Cap (11) to the inlet of Air Cleaner (1) using the clamp that comes with the Rain Cap.
7. Install the Air Cleaner Label on the Air Cleaner (1) or a piece of equipment in the area of the Air Cleaner. Be sure Label is visible and is not placed on the Air Cleaner Cover.
8. Re-insert the "x-mas" type harness clip at the position marked \*.

NOTE: Comply with torque standards in the table to avoid unexpected damage during installation or in the future.

**Table 1: Tightening Torque**

Diameter x Pitch	Kgf-m	Foot-lbf	N-m
M8 x 1.25	1.5 ~ 2.9	10.6 ~ 20.9	14.4 ~ 28.3