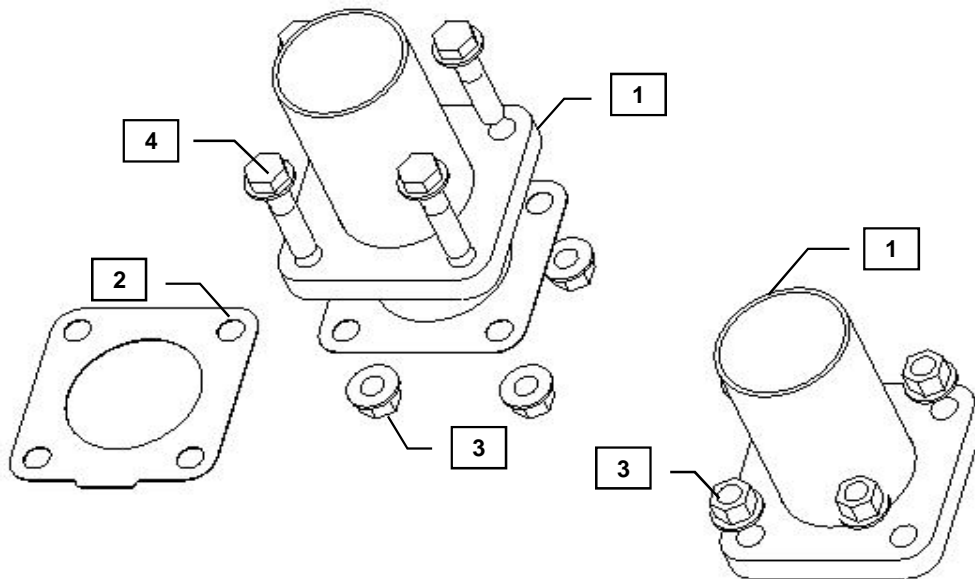


Kit Name: KM9



**YANMAR CO., LTD.**  
YANMAR AMERICA CORP.

Item	Part No.	Description	Quantity	Remarks
1	119749-13590	Adaptor	2	
2	119515-13200	Gasket, Muffler	2	
3	26306-080002	Nut, M8 x 1.25 (Flanged hex head)	8	
4	26106-080352	Bolt, M8 x 1.25 - 35 (Flanged hex head)	4	



**MODELS**

2TNV70

3TNM68

Notes: Parts code is not assigned to non-serviceable component parts.

Remarks:



**Installation Instructions**

**WARNING: DO NOT INSTALL THE KIT WHILE THE ENGINE IS STILL HOT**

Hand tighten all bolts and nuts until the assembly is completed, then torque to the specifications in Table 1 below.

1. Place the exhaust gasket included with the engine onto the exhaust manifold flange.
2. Place the Muffler Adaptor (1) on the exhaust manifold flange and secure on the studs using the M8x1.25 Flange Nuts (3).
3. Use the second Adaptor in conjunction with desired Muffler kit.
4. Use the provided M8x1.25 Flange nuts, the Gasket (2), and the M8x1.25 - 35 bolts to secure the second Adaptor (1) to the desired muffler.
5. Use appropriate flexible exhaust tubing and clamps to connect the Adaptors. Yanmar does not provide this tubing.

**Table 1: Proper torque specifications for bolts and nuts.**

Diameter x Pitch	Kgf-m	Foot-lbf	N-m
M8 x 1.25	1.5 ~ 2.9	10.6 ~ 20.9	14.4 ~ 28.3