

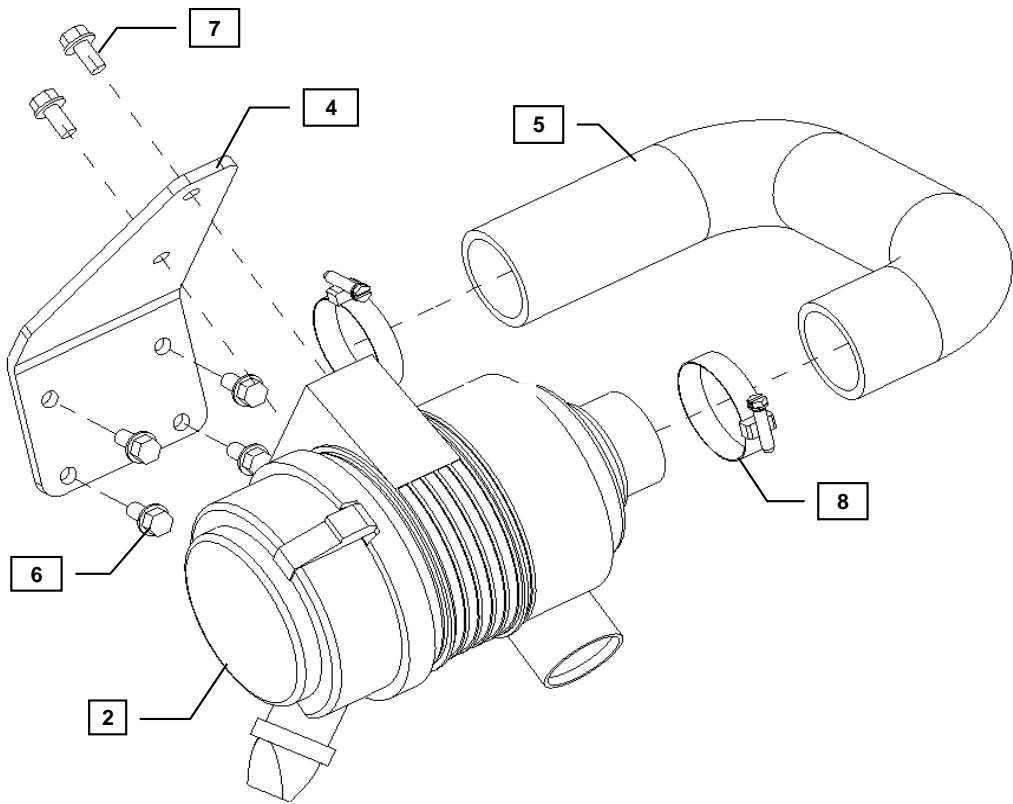
Kit Name: KAC16
 Revision: 3



YANMAR CO., LTD.

YANMAR
 AMERICA CORP.

Item	Lev.	O	Part No.	Description	Quantity	Remarks
1	-					
2	--		119028-12500	Air Cleaner Assy	1	
3	---		119655-12560	Element, Air Cleaner	1	
4	--		119028-12560	Bracket	1	
5	--		119028-12600	Hose	1	
6	-		26106-080162	Bolt, M8 X 1.25 - 16, (Flanged hex head)	4	
7	-		26013-080162	Bolt, M8 x 1.25 - 16, (Flanged hex head, captive spring washer)	2	
8	-		23000-054000	Clamp 54, Hose	2	



MODELS

3TNM72

4/13/2009

**Installation Instructions**

Hand tighten all bolts and nuts until assembly is completed, then torque according to specifications in Table 1. The numbers in () represent the item numbers.

- 1 Fasten the Air Cleaner Bracket (4) on to the rear face of the cylinder head using M8 x 1.25 - 16 bolts (6).
2. Assemble the Air Cleaner Assembly (2) to the Bracket (4) with M8 x 1.25 - 16 bolts (7).
3. Remove and adjust the Air Cleaner Cover so that the dust collector is orientated in the downward direction between the 4 o'clock and 6 o'clock position.
4. Fasten one end of the Air Cleaner Hose (5) to the Intake manifold using Hose Clamp (8). Fasten the other end of the Hose to the Air Cleaner Assembly (2) using the other identical Hose Clamp (8).

NOTE: Comply with torque standards in the table to avoid unexpected damage during installation or in the future.

Table 1: Tightening Torque

Diameter x Pitch	Kgf-m	Foot-lbf	N-m
M8 x 1.25	1.5 ~ 2.9	10.6 ~ 20.9	14.4 ~ 28.3