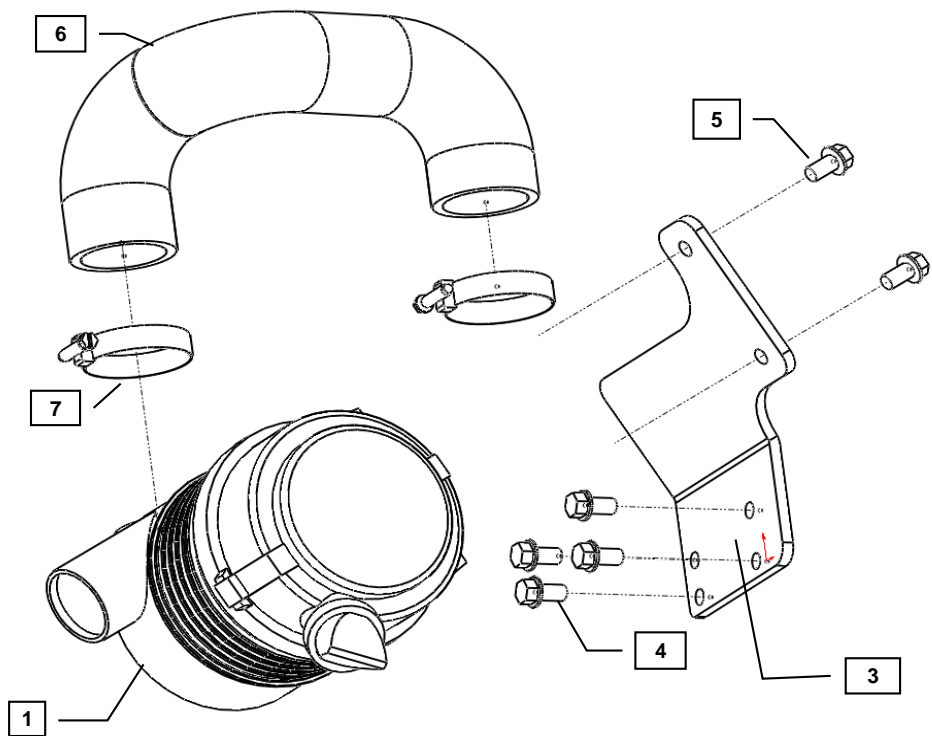




YANMAR CO., LTD.

YANMAR AMERICA  
CORP.

Item	Lev.	O	Part No.	Description	Quantity	Remarks
1	-		119128-12500	Air Cleaner Assy	1	
5	---		119128-12561	Bracket, Air Cleaner	1	
6	--		119128-12600	Hose, Air Intake	1	
7	--		26106-080162	Bolt, M8 X 1.25 - 16, (Flanged hex head)	4	
8	--		26013-080162	Bolt, M8 x 1.25 - 16, (Flanged hex head, captive spring lock washer)	2	
9	-		23000-054000	Clamp, Hose	2	
10	-		119128-55651	Fuel Filter Bracket	1	



**MODELS**

3TNM68

**Installation Instructions**

Hand tighten all bolts and nuts until assembly is completed, then torque according to specifications in Table 1. The numbers in () represent the item numbers.

- 1 Remove the existing fuel filter and bracket.
- 2 Fasten the Air Cleaner Bracket (3) on to the rear face of the cylinder head using M8 x 1.25 - 16 bolts (4).
- 3 Assemble the Air Cleaner Assembly (1) to the Bracket (3) with M8 x 1.25 - 16 bolts (5).
- 4 Fasten one end of the Air Cleaner Hose (6) to the Intake manifold using Hose Clamp (7). Fasten the other end of the Hose to the Air Cleaner Assembly (1) using the other identical Hose Clamp (7).
5. Install the Fuel Filter Bracket (12) onto the rear fuel injection side of the cylinder head.

NOTE: Comply with torque standards in the table to avoid unexpected damage during installation or in the future.

**Table 1: Tightening Torque**

Diameter x Pitch	Kgf-m	Foot-lbf	N-m
M8 x 1.25	1.5 ~ 2.9	10.6 ~ 20.9	14.4 ~ 28.3